



ITEM #: _____ QTY: _____
 MODEL #: _____
 PROJECT NAME: _____

112117

3601 S. Banker St. Effingham, IL 62401 • P.O. BOX 609 • Ph: (888) 431-2667 • Fax: (800) 433-2667

"EBHS6R5" ENCLOSED BASE TABLES 16GA



STAINLESS TOP - HINGED - 5" RISER

FEATURES:

- 16 GAUGE STAINLESS STEEL TOP WITH 5" REAR RISER
- HINGED DOOR STYLE
- TYPE 300 STAINLESS STEEL WITH #4 POLISH, SATIN FINISH
- TOP IS SOUND DEADENED
- REINFORCED WITH 1"X2" CHANNEL RUNNING ENTIRE LENGTH OF TABLE
- 1-1/2" STALLION EDGE ON FRONT AND 5" RISER ON REAR WITH SIDE EDGES 90 DEGREE BEND DOWN FOR TABLE LINE-UP
- STAINLESS STEEL BASE AND UNDERSHELF
- UNDERSHELF IS SECURED IN A FIXED POSITION, 10" ABOVE FLOOR
- SHIPPED STANDARD WELDED SET-UP
- NSF CERTIFIED



CONSTRUCTION:

- TOP: STAINLESS STEEL TOPS ARE TIG WELDED, EXPOSED WELDS ARE POLISHED TO MATCH ADJACENT SURFACE

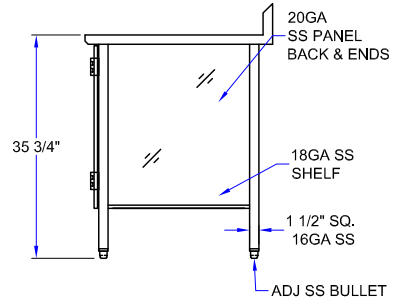
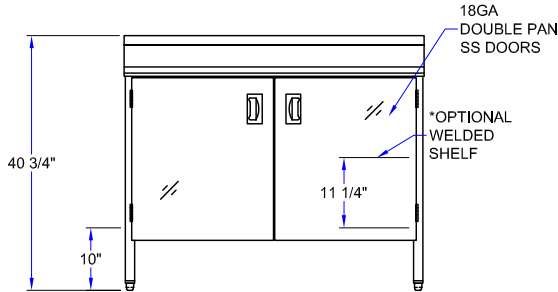
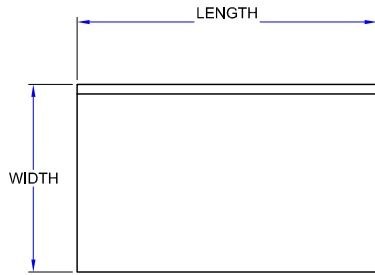
MATERIAL:

- TOP: 16 GAUGE STAINLESSS STEEL TYPE 300 STAINLESS STEEL WITH #4 POLISH, SATIN FINISH
- SHELF: 18 GAUGE TYPE 300 STAINLESS STEEL, #4 POLISH WITH SATIN FINISH
- LEGS: 1-1/2" SQUARE O.D., 16 GAUGE TUBULAR STAINLESS STEEL
- PANELS: 20 GAUGE TYPE 300 STAINLESS STEEL, #4 POLISH WITH SATIN FINISH
- FEET: 1" ADJUSTABLE STAINLESS STEEL BULLET FEET

ENCLOSED BASE TABLES 16GA

| 24" WIDTH | QTY | 30" WIDTH | QTY |
|---------------|-----|---------------|-----|
| EBHS6R5-2436 | | EBHS6R5-3036 | |
| EBHS6R5-2448 | | EBHS6R5-3048 | |
| EBHS6R5-2460 | | EBHS6R5-3060 | |
| EBHS6R5-2472 | | EBHS6R5-3072 | |
| EBHS6R5-2484 | | EBHS6R5-3084 | |
| EBHS6R5-2496 | | EBHS6R5-3096 | |
| EBHS6R5-24108 | | EBHS6R5-30108 | |
| EBHS6R5-24120 | | EBHS6R5-30120 | |
| EBHS6R5-24132 | | EBHS6R5-30132 | |
| EBHS6R5-24144 | | EBHS6R5-30144 | |

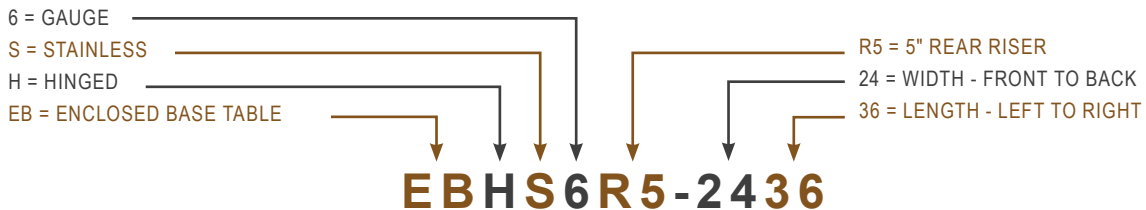
DETAILED SPECIFICATIONS



ENCLOSED BASE TABLES 16GA

| LENGTH | LEGS | 24" WIDTH | WEIGHT (LBS) | 30" WIDTH | WEIGHT (LBS) |
|--------|------|---------------|--------------|---------------|--------------|
| 36" | 4 | EBHS6R5-2436 | | EBHS6R5-3036 | |
| 48" | 4 | EBHS6R5-2448 | | EBHS6R5-3048 | |
| 60" | 4 | EBHS6R5-2460 | | EBHS6R5-3060 | |
| 72" | 4 | EBHS6R5-2472 | | EBHS6R5-3072 | |
| 84" | 6 | EBHS6R5-2484 | | EBHS6R5-3084 | |
| 96" | 6 | EBHS6R5-2496 | | EBHS6R5-3096 | |
| 108" | 6 | EBHS6R5-24108 | | EBHS6R5-30108 | |
| 120" | 6 | EBHS6R5-24120 | | EBHS6R5-30120 | |
| 132" | 6 | EBHS6R5-24132 | | EBHS6R5-30132 | |
| 144" | 6 | EBHS6R5-24144 | | EBHS6R5-30144 | |

MODEL # STRUCTURE



SOME UNITS SHIP UNASSEMBLED FOR REDUCED SHIPPING COST. ALL DIMENSIONS ARE TYPICAL. TOLERANCE +/- .500"

John Boos & Co. is constantly engaged in a program of improving products and therefore reserves the right to change specifications without prior notice.